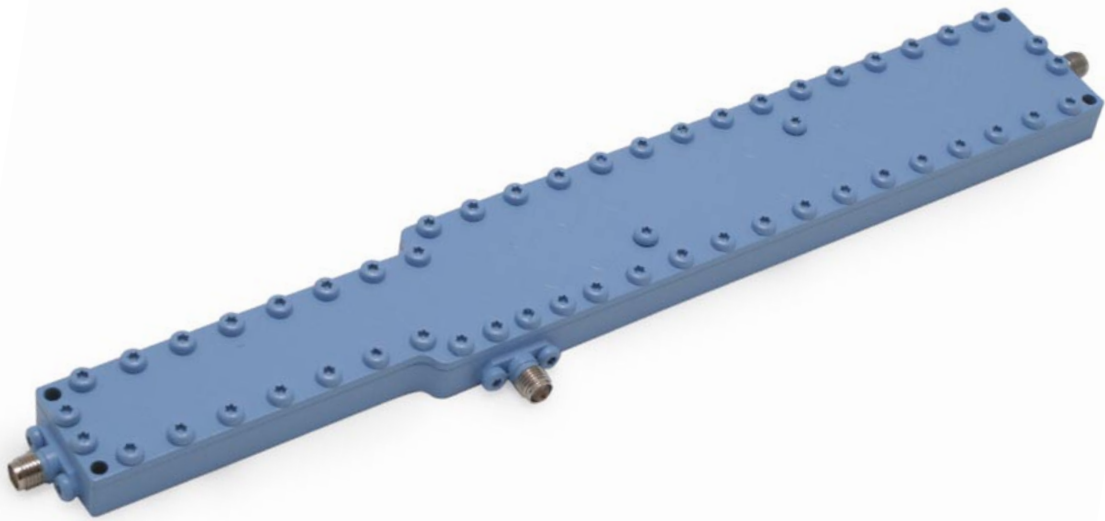
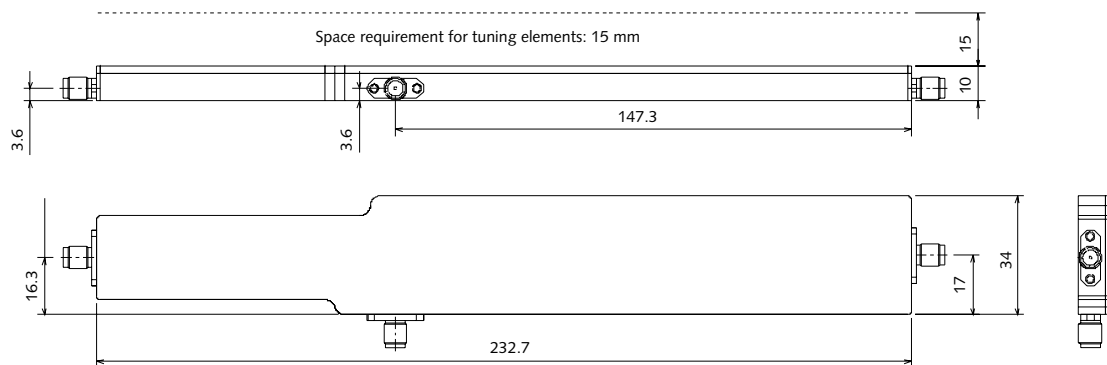


CW-DPF-800-6000-E1-M2



Type	Diplexer Filter
Pass Band 1	800–1000 MHz
• Insertion Loss	< 4 dB
• Return Loss	> 10 dB
• Rejection	> 60 dBc @ 4000–6000 MHz
Pass Band 2	1800–6000 MHz
• Insertion Loss	< 4 dB
• Return Loss	> 10 dB
• Rejection	> 80 dBc @ 800–3600 MHz
Power handling	100 W avg. 600 W peak
Connectors	3 x SMA-F



CW-DPF-800-6000-E1-M2

